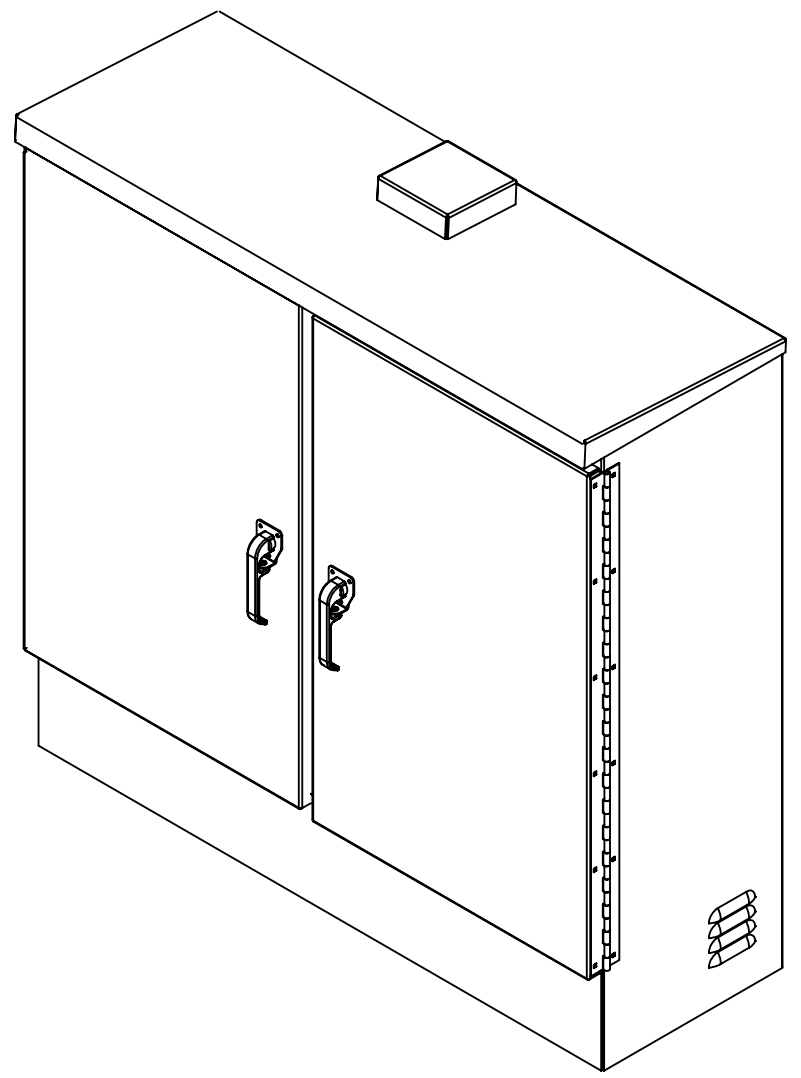
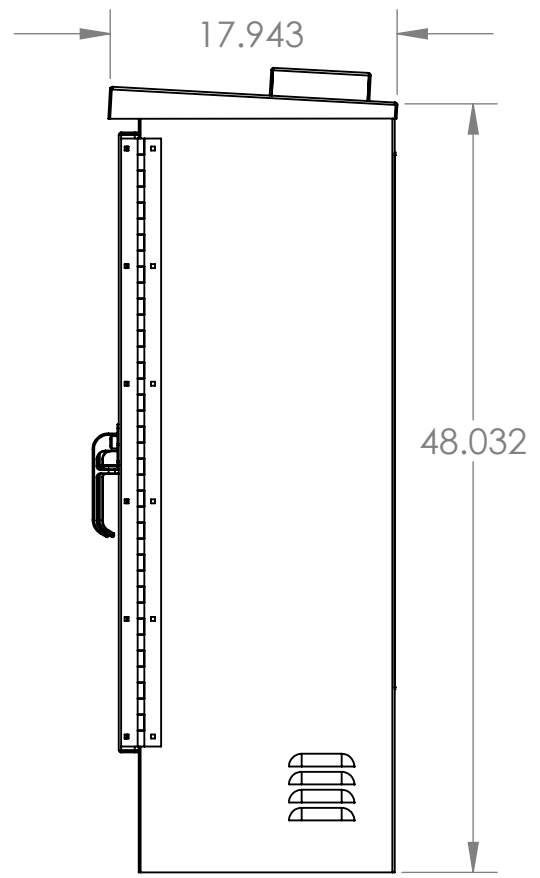
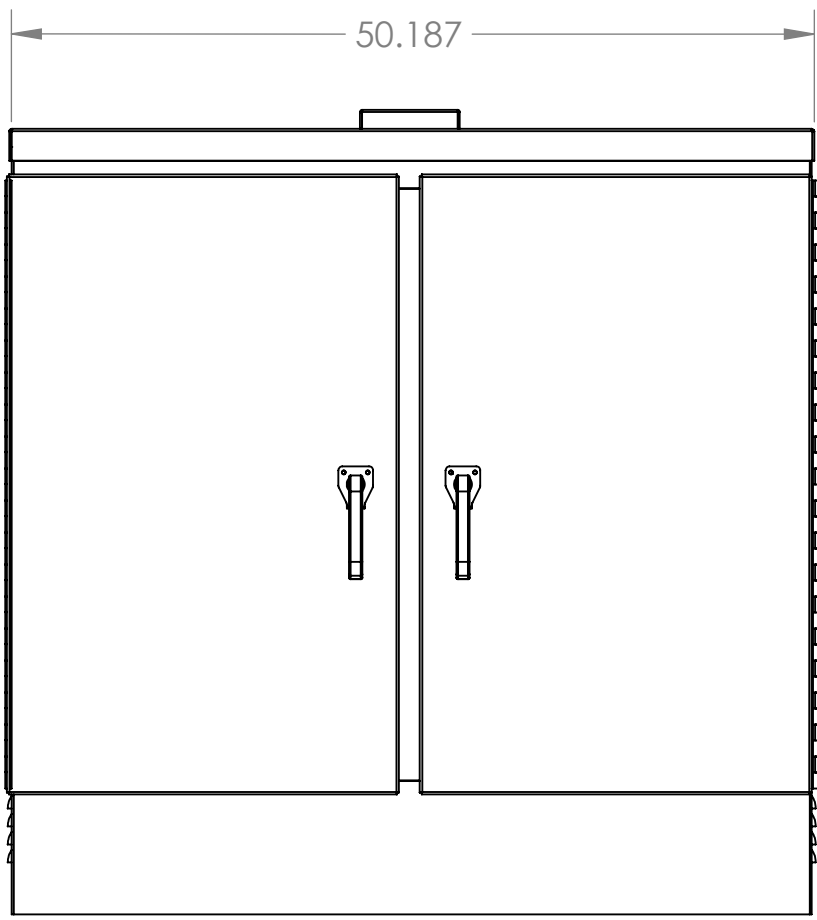


8 7 6 5 4 3 2 1

D  
C  
B  
A

D  
C  
B  
A



**Type 4 Load Center Cabinet**

.125-5052 H-32 Aluminum Built Cabinet

Doors are secured with a double flange around body of enclosure and include 1" x 1/2" Neoprene gasket to ensure a tight fit. There is a 14GA Continuous Stainless Steel hinge with carriage bolts. Door Stop Bracket allows ease of access and secures an open door while working. This Cabinet type comes standard with a 3 Point Latch System with pad lockable handle.

Ventilation-Louvers are located on sides of cabinet and include filters and Top vents for added circulation.

.125 Aluminum Back Panel and mounting hardware is included.

Cabinets are used mostly as Load Centers, but can be used as battery storage enclosures for the solar industry and horizontal shelving can be added.

8 7 6 5 4 3 2 1

**PROPRIETARY AND CONFIDENTIAL**  
 THE INFORMATION CONTAINED IN THIS DRAWING IS THE SOLE PROPERTY OF <INSERT COMPANY NAME HERE>. ANY REPRODUCTION IN PART OR AS A WHOLE WITHOUT THE WRITTEN PERMISSION OF <INSERT COMPANY NAME HERE> IS PROHIBITED.

		UNLESS OTHERWISE SPECIFIED:		NAME	DATE	
		DIMENSIONS ARE IN INCHES	DRAWN		5/20/2009	TITLE:
		TOLERANCES:	CHECKED			
		FRACTIONAL ±	ENG APPR.			
		ANGULAR: MACH ± BEND ±	MFG APPR.			
		TWO PLACE DECIMAL ±	Q.A.			
		THREE PLACE DECIMAL ±	COMMENTS:			
		INTERPRET GEOMETRIC TOLERANCING PER:				SIZE
		MATERIAL				DWG. NO.
		FINISH				<b>A</b>
NEXT ASSY	USED ON					<b>t4assy</b>
		DO NOT SCALE DRAWING				REV
						<b>A</b>
	APPLICATION					SCALE: 1:16
						WEIGHT:
						SHEET 2 OF 2